

# WP2: Domain Model + WP3 TENCC



**TEN Competence**

Building The European Network for Lifelong Competence Development

Rob Koper & Hubert Vogten  
TENCompetence Project Meeting  
3-4 July 2006  
Kerkrade, The Netherlands

# Cycles in the project

- Cycle 1: core system delivered November 1th 2006
- Heerlen meeting:
  - Initial technical use cases
  - Initial architecture
  - Initial domain model from DoW
- Sofia meeting:
  - Presentation of first TENCC prototype
  - Tasks defined in programming the core application
  - User interface idea (music)
- Kerkrade meeting:
  - Demonstration of first implementation of core system
  - Domain Model version 1.0 ready

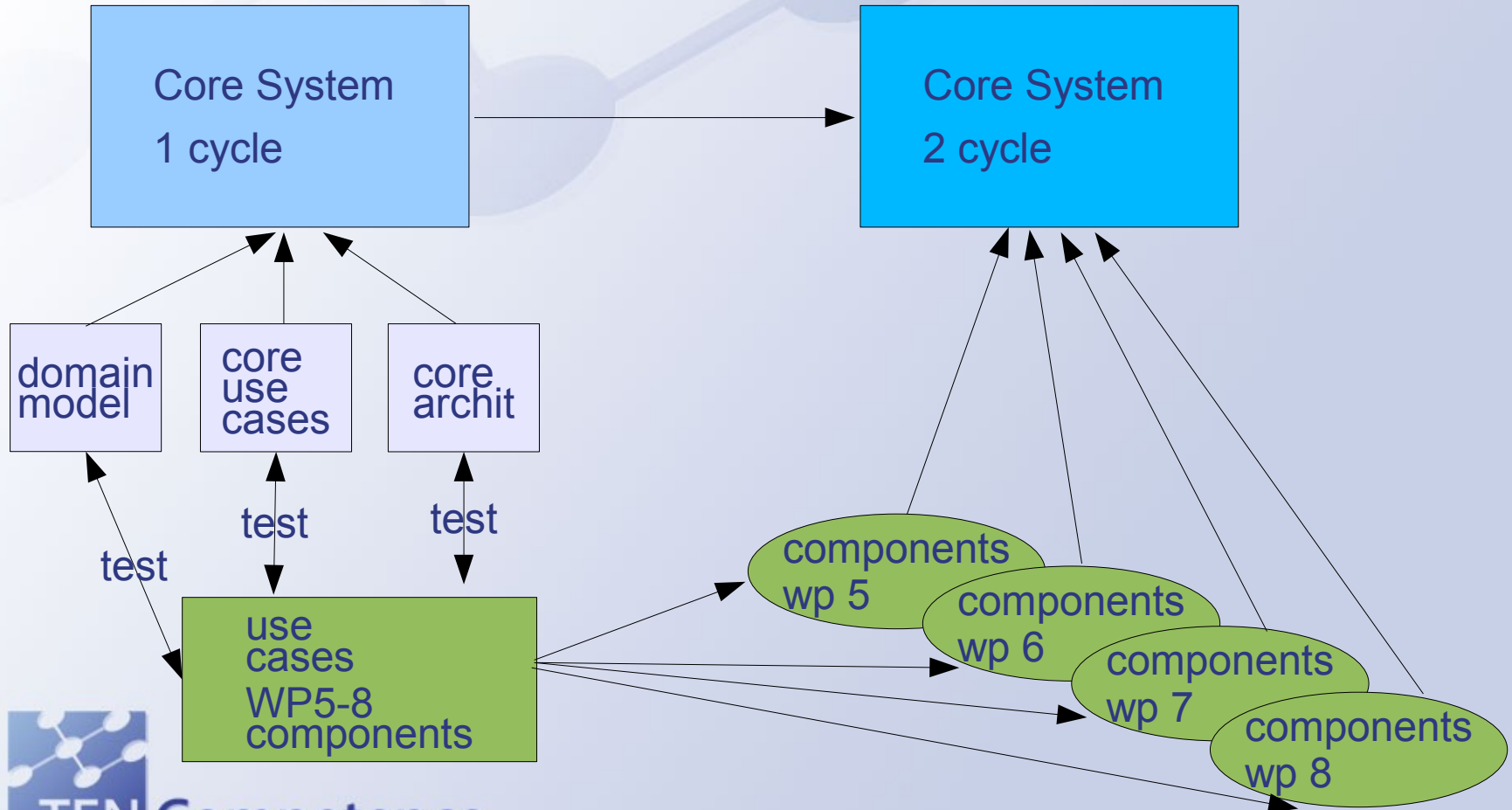


**TEN** Competence

Building The European Network for Lifelong Competence Development

# At the same time

- WP2 use cases



# Domain Model Functions

1. to define the **scope of the project**, including the scope for the use cases
2. to define the **vocabulary** used (common ground)
3. to define the **relationship** between the concepts used
4. to define the **overall conceptual architecture**
5. to provide a **technological theory** for the project that must be tested in the pilots
6. to provide a starting point for the **design of other models**, like the data model and services
7. to define the **minimal functional components** that must be present in the TENCompetence infrastructure



**TEN** Competence

Building The European Network for Lifelong Competence Development

## 7 Core Requirements (solve problems:)

1. Implement New Pedagogical & Organisational Models for Lifelong Compt Development
2. Support the Discovery of Best Solutions
3. Stimulate Pro-active Sharing of resources
4. Support Competence Assessment
5. Provide Effective & Efficient User Support
6. Provide Decentralized, Self-org. Management
7. Integrate Isolated Models & Tools from four 'worlds': knowledge sharing (WP5); learning activities (WP6); programmes (WP7); learning networks (WP8)

## Non-functional Requirements:

1. Open Source Only (OSI)
2. Use of Open Standards
3. Service Oriented Architecture
4. Extensible
5. OSS services can be replaced by commercial services

# Use Cases

&

Domain

Model

## Organised Pilots in Project Plan:

1. Digital Cinema (first 18 month)
2. Health Care (after 18 month)
3. Indonesia Water Mng (after 18 month)
4. Antwerp Lifelong Learning City (after 18 month)

## Additional Pilots:

1. Small pilots by Partners
  2. Pilots by Ass. Partners
  3. Pilots by others
- At any time!

# Primary use cases specified

All primary use cases are connected to the 'goal' class in the Domain Model. A lifelong learner can use the system to get support for the attainment of the following goals:

- I want to keep up to date within my existing function or job
- I want to study for a new function or job or improve my current job level
- I want to reflect on my current competences to look which functions and jobs are within my reach or to help me define new learning goals
- I want to improve my proficiency level of a specific competence
- Want some support on a non-trivial learning problem
- Want to explore the possibilities in a new field (learning network) to help define new learning goals

# Validation activities

- Presenting and discussing it with various actors:
  - Universities (e.g. Sorbonne in Paris)
  - Prolearn Summerschool
  - Discussions with associated partners
  - Etc.
- Test it on the requirements and functionality as specified in the DoW
- Test each use case on the Domain Model systematically
- Test whether it is implementable/usable for software development



**TEN** Competence

Building The European Network for Lifelong Competence Development

# Current version 1.0

- It concentrates on the functional aspects mentioned in the DoW and describes the system to meet the 7 functional requirements
- Further elaboration of the initial domain model in the DoW
- Includes more details, but still is a model that strives to have a minimum number of (high level) classes
- It should meet all the requirements mentioned in the use cases (given that the use cases are defined within the scope of the project as described in the DoW).
- The mapping of the use cases on the domain model should still be tested





# Original file of Domain Model

Dspace:

- <http://hdl.handle.net/1820/649>



**TEN Competence**

Building The European Network for Lifelong Competence Development

# The Domain Model has three diagrams:

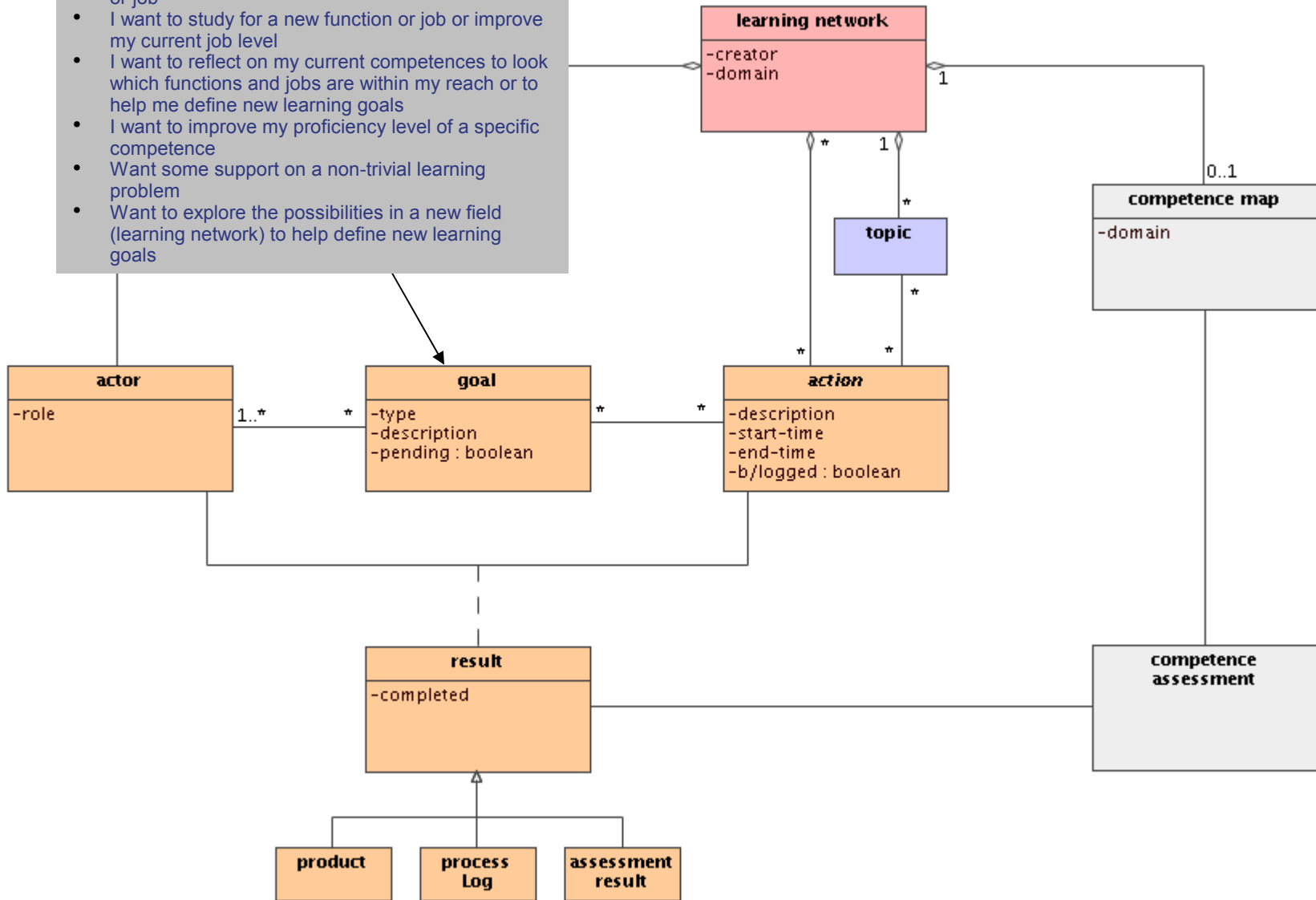
- The core domain model. These concepts are also explained in the vocabulary.
- The rating mechanism that is available on all classes.
- Some packages that should be explored for future integration conform the project plan.

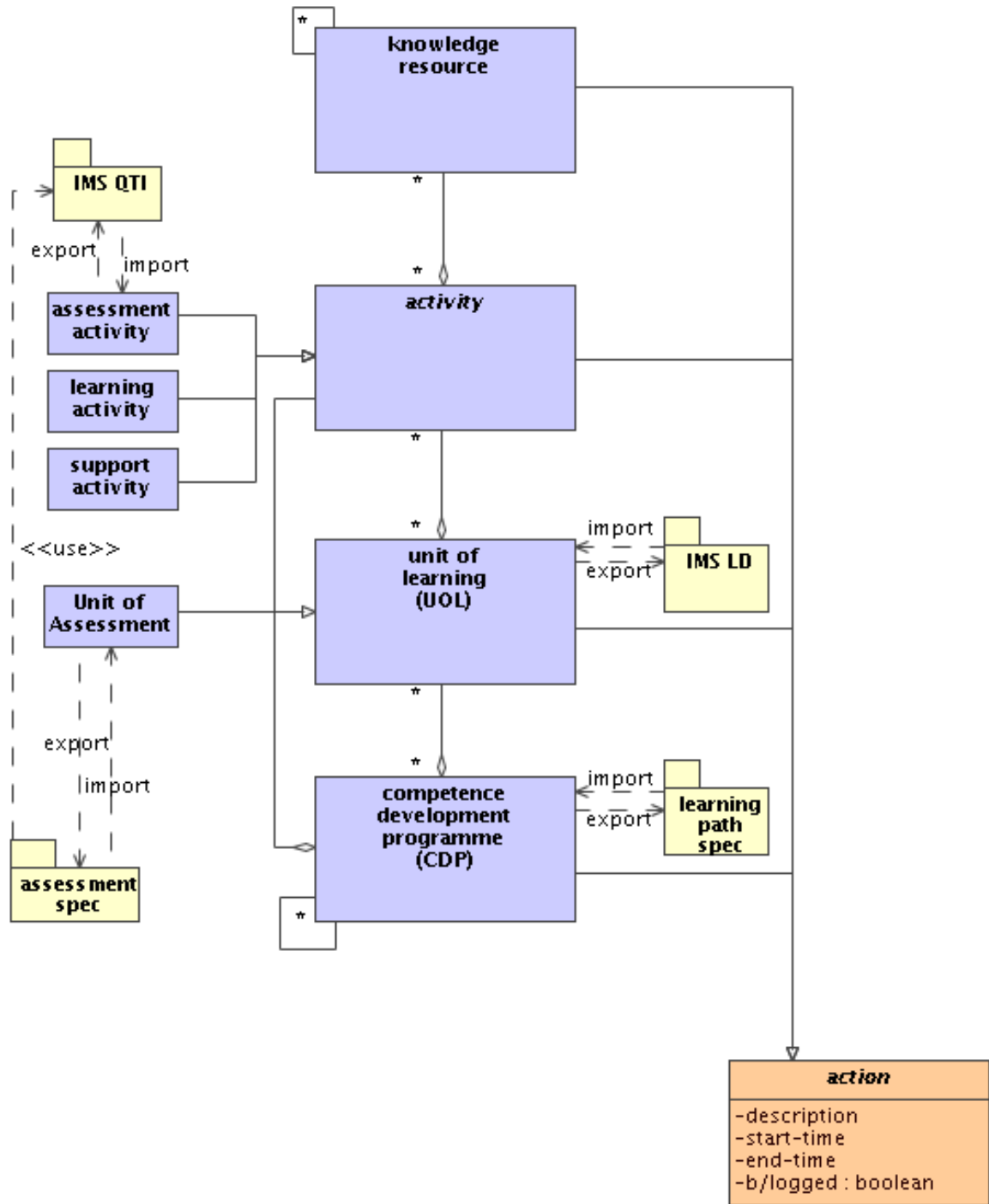


**TEN Competence**

Building The European Network for Lifelong Competence Development

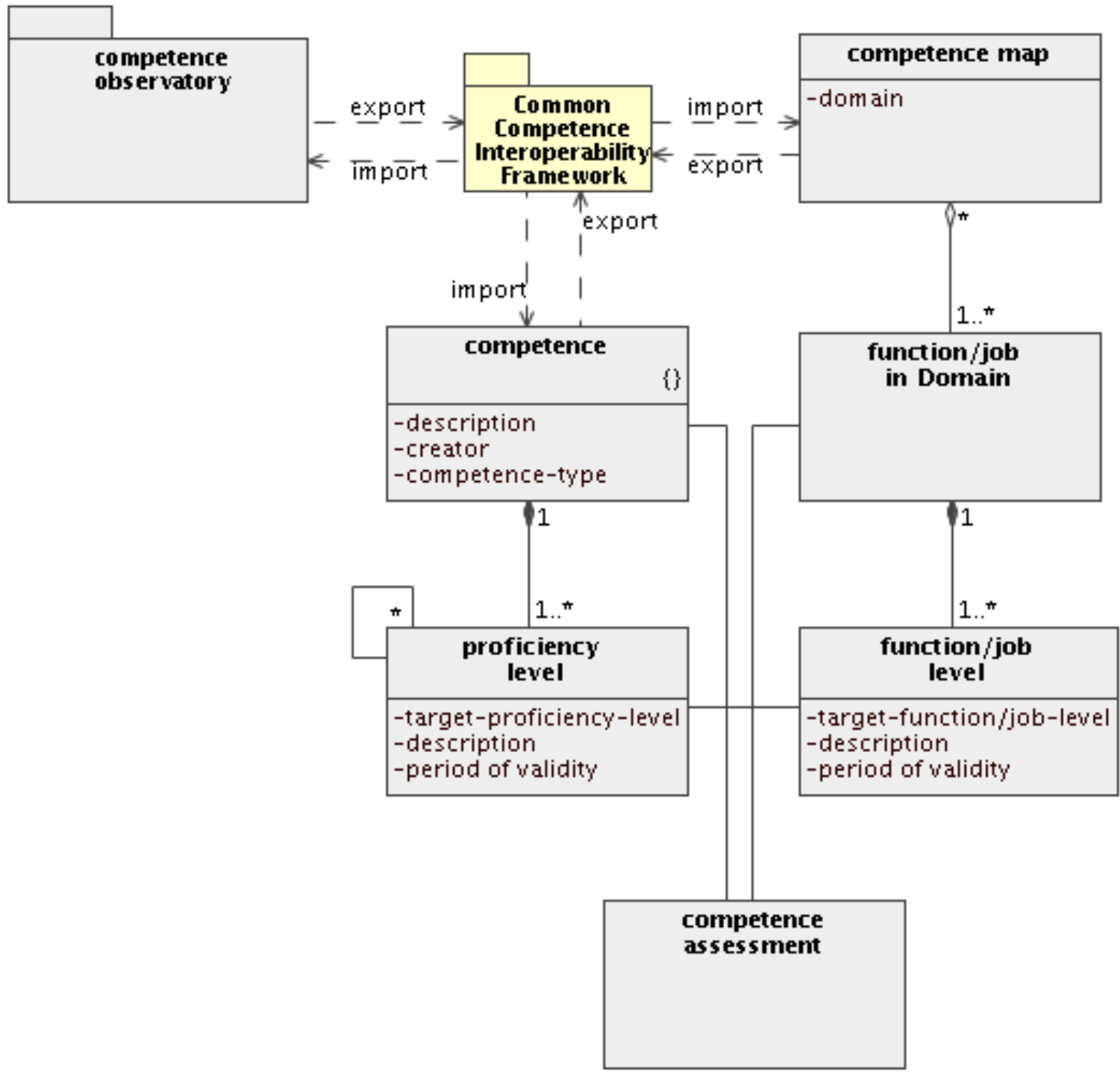
- I want to keep up to date within my existing function or job
- I want to study for a new function or job or improve my current job level
- I want to reflect on my current competences to look which functions and jobs are within my reach or to help me define new learning goals
- I want to improve my proficiency level of a specific competence
- Want some support on a non-trivial learning problem
- Want to explore the possibilities in a new field (learning network) to help define new learning goals

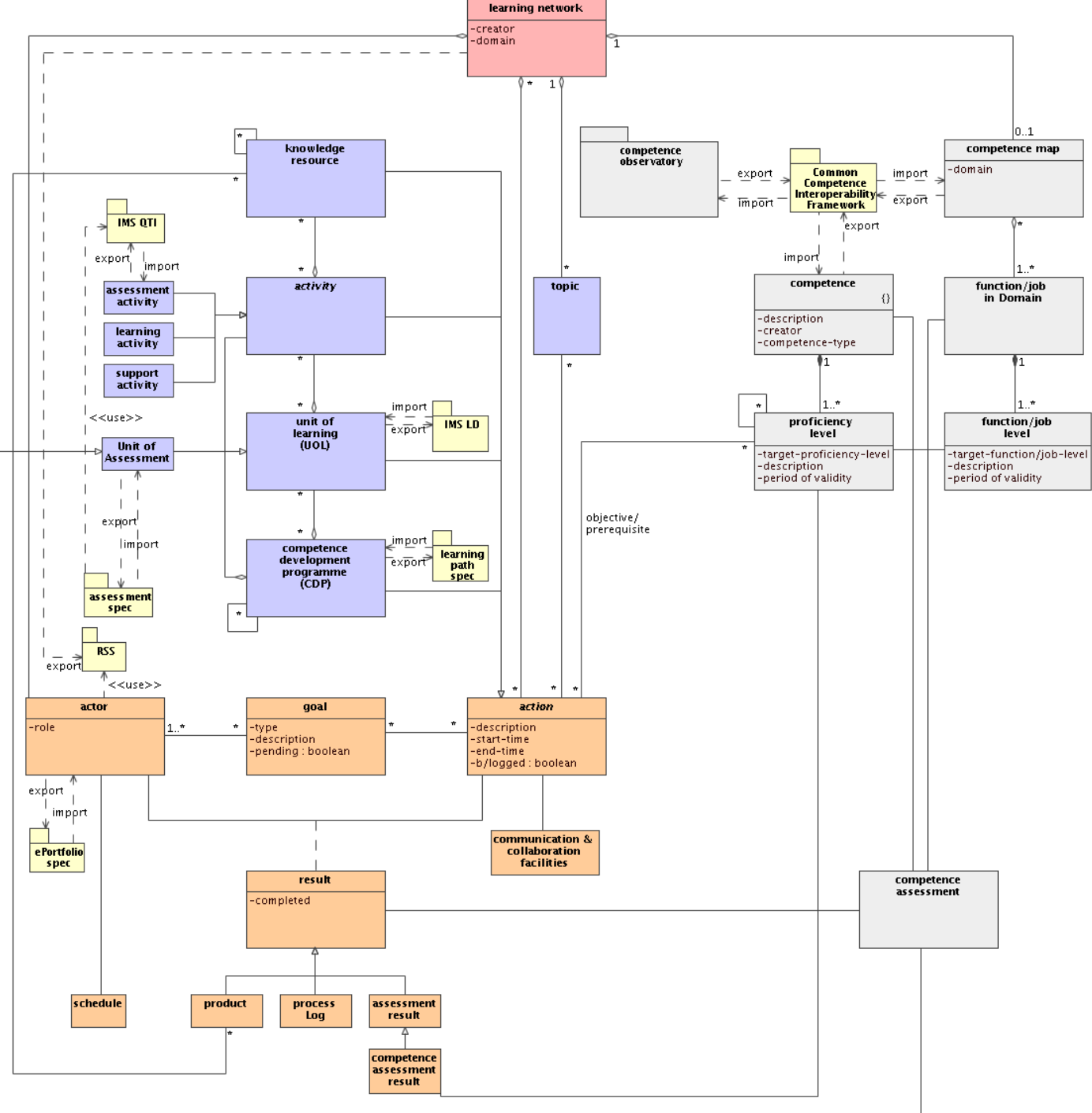




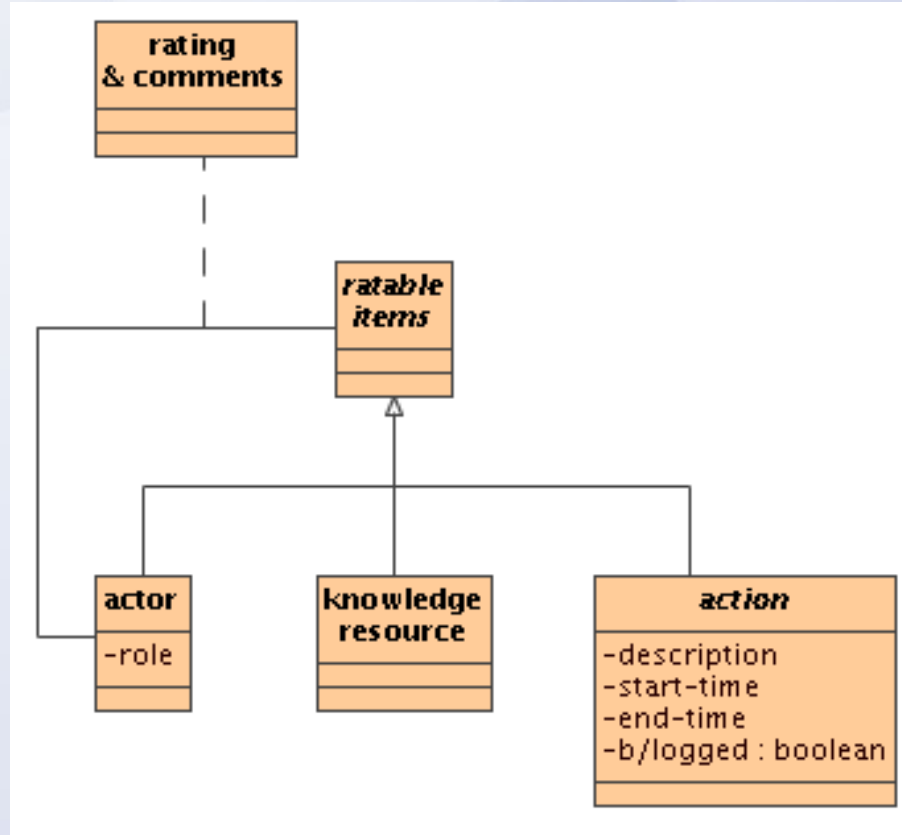
**TEN Competence**

Building The European Network for Lifelong Competence Development





# Rating (second diagram)



# Services to be elaborated (third diagram)

**action  
support  
service**

**navigation  
Service**

**positioning  
service**

**social  
exchange  
policies**

**notification  
service**

**monitoring  
service**





# Vocabulary

- Each class and relation is described in the vocabulary document that can be found in dspace.



**TEN** Competence

Building The European Network for Lifelong Competence Development

# TENCC Demonstration

- Planning: 1-11-2006 ready for content entry by digital cinema pilot; 1-1-2006 run of digital cinema pilot and other tests by (ass.) partners
- Data-model derived from Domain Model
- One goal elaborated “study for a new function/job”
- Proof of concept



**TEN** Competence

Building The European Network for Lifelong Competence Development